

## ALLIGATOR HD RANGE

HD 375LR DOUBLE MITRE BANDSAW RANGE



Compact and robust hydraulically controlled, gravity feed bandsaw for cutting of solids, tubes and sections in stainless steel, mild steel, non ferrous metals and plastics with a double mitre swivel head. Variable blade speed and massive rotating cast table.

**SAWS (UK) LTD**, Wealden Industrial Estate, Farningham Road, Crowborough, East Sussex, TN6 2JR  
Phone 0844 880 4511 Fax 0844 880 4954 [sales@sawsuk.com](mailto:sales@sawsuk.com)

Vat Number : 449 6364 12 Reg No.: 02453610



## CAPACITIES

	90°	45° \	60°\	45°/
<b>Round</b>	290	240	160	220
<b>Square</b>	290	230	150	190
<b>Rectangle</b>	360 x 190	250 x 190	155 x 155	230 x 125

## FEATURES

- Rigid, torsion free cast iron bow, solid cast iron vice, swivel and pivot. Massive rotating table assembly
- Precision blade guidance via carbide inserts and roller bearings giving long term accuracy
- Easy bow lift via counterbalance spring and lift lever
- Hydraulic bow lift on **LR-H MODELS ( delivery @ 9 weeks)**
- Electric, high output coolant pump
- Graduated material end stop assembly
- 15 - 90 M/min variable cutting speeds via frequency inverter
- 3150 x 27 x 0.9 Alligator Bandsaw Blade
- 2.2 Kw Motor with Gearbox Reduction
- Weight – 550Kg
- Dimensions – 1600 x 950 x 1600mm (L x W x H)
- Bed Height – @900mm
- 3 phase, 415v Supply (neutral is required)

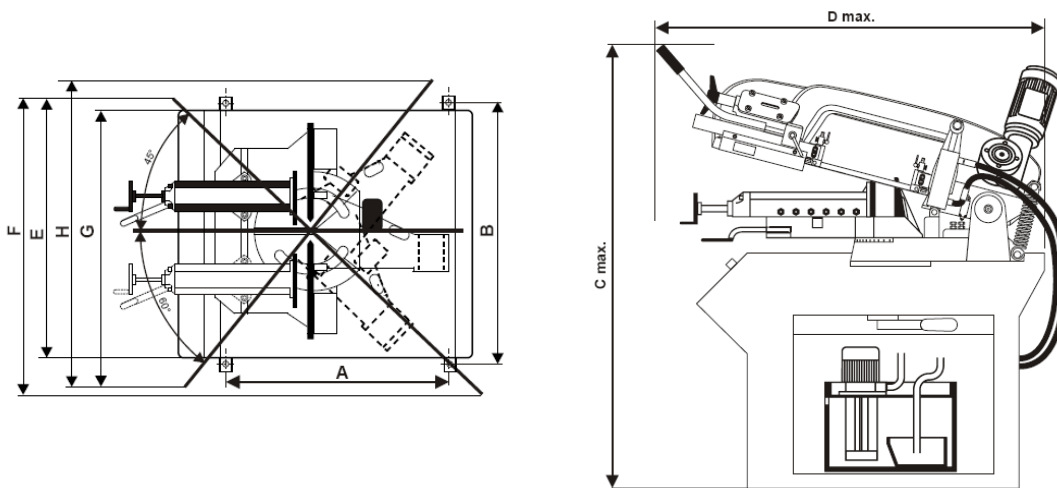
## PRICES

<b>ALLIGATOR HD375LR Bandsaw</b>	<b>£4,550</b>
<b>ALLIGATOR HD375LR- H Bandsaw</b>	<b>£5,350</b>
<b>Micro Lube System (needs compressed air)</b>	<b>£975</b>
<b>Laser Kit</b>	<b>£495</b>

**SAWS (UK) LTD**, Wealden Industrial Estate, Farningham Road, Crowborough, East Sussex, TN6 2JR  
Phone 0844 880 4511 Fax 0844 880 4954 [sales@sawsuk.com](mailto:sales@sawsuk.com)

Vat Number : 449 6364 12 Reg No.: 02453610

- ALL PRICES SHOWN ARE EXCLUSIVE OF VAT
- DELIVERY IS CHARGED AT COST - @£125
- FULL PAYMENT IS REQUIRED BEFORE DESPATCH
- UNLOADING AND ELECTRICAL CONNECTION IS THE CUSTOMER'S RESPONSIBILITY
- QUOTATION VALID FOR 30 DAYS



A	B	C	D	E	F	G	H
905	1005	2040	1690	1210	1270	1335	1430

E & OE